

# Pressure Blowers

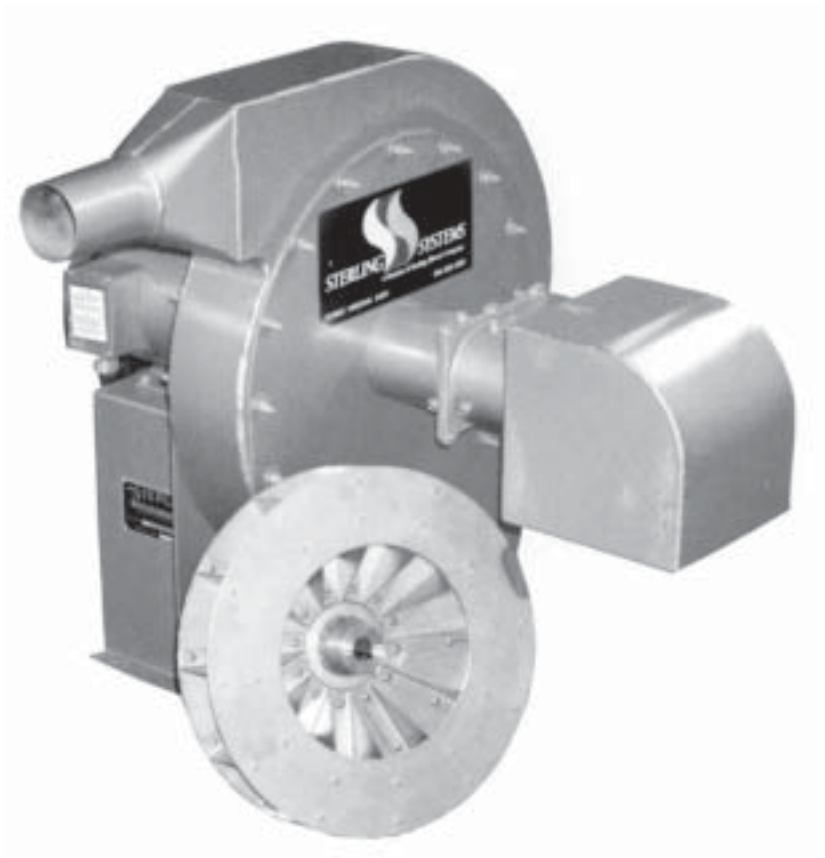
*Versatile...Efficient...Durable*

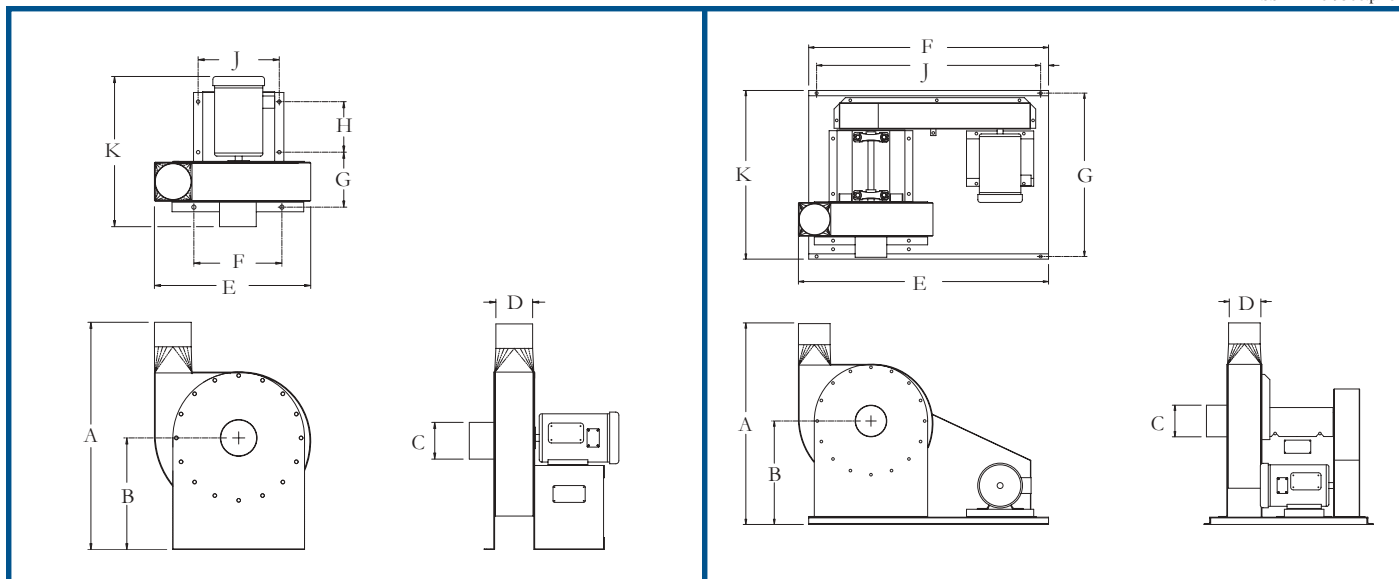
## Design Features:

- Durable housing and base feature all welded heavy gauge steel construction.
- Tri-wound TEFC motors and shaft seal standard on all models.
- All drive components and guards are standard.
- Quality design eliminates leakage and internal flow obstructions.
- Pressures to 52" H<sub>2</sub>O.
- 16 different discharge positions.
- Stainless steel construction available.

## Options include:

- Special Engineering — if our standard blower doesn't fit your application, we will re-engineer it to do so.
- Surface treatment of wheel and housing interior.
- Non-standard inlet and outlet sizes.
- Modified feed and/or discharge heights.
- Special flanges.
- Multiple inlet manifolds.
- Flow control valves or gates mounted on inlet.
- Sound dampening.
- Inlet filters and screens.





**Direct Drive Model**

**V-Belt Drive Model**

**Standard Dimensions**

Blower Size	A	B	C <sup>1</sup>	D <sup>1</sup>	E	F	G	H	J	K	HP
<b>Direct Drive Models</b>											
408-02FD	33½	16¼	4	4	22½	15	6½	5½	11	19½	2
512-02FD	37	18¼	6	6	25½	14½	6¼	8¼	13¼	19¼	2
512-03FD	37	18¼	6	6	25½	14½	7¼	8¼	13¼	21½	3
512-05FD	37	18¼	6	6	25½	14½	9	8¼	13¼	24½	5
512-07FD	37	18¼	6	6	25½	14½	9¼	8¼	13¼	25½	7½
512-10FD	37	18¼	8	8	26½	14½	8½	8¼	13¼	26¾	10
616-05FD	37½	18¼	6	6	29½	14½	6½	8¼	13¼	22¼	5
628-05FD	37½	18¼	6	6	29½	14½	6½	8¼	13¼	22¼	5
724-07FD	44	20¼	6	6	33	15½	7¾	8	16¾	23½	7½
724-10FD	44	20¼	6	6	33	15½	7¾	8	16¾	23¼	10
724-15FD	44	20¼	6	6	33	15½	10	12	16¾	29	15
724-20FD	44	20¼	8	8	33	15½	10	12	16¾	31	20
832-15FD	49	24¼	8	8	40¼	18½	7	13	18½	26¾	15
832-20FD	49	24¼	8	8	40¼	18½	7	13	18½	26¾	20
832-25FD	49	24¼	8	8	40¼	18½	7¾	13	18½	30	25
<b>V-Belt Drive Models</b>											
408	35	17¾	4	4	36½	34½	23	—	31½	24	2
512	38¼	19¾	6 <sup>2</sup>	6 <sup>2</sup>	47½	45½	31	—	42½	32	2,5,7½,10
616	39	19¾	6	6	50	45½	31	—	42½	32	5
628	39	19¾	6	6	50	45½	31	—	42½	32	5
724	45½	21¾	6 <sup>3</sup>	6 <sup>3</sup>	51½	47	35½	—	44	36½	7½,10,15,20
832	50½	25¾	8	8	57½	48	33¼	—	45	31¼	15,20,25

- All dimensions are in inches.
- Dimensions are approximate; consult factory for certified drawings.
- Other discharge positions are available.
- <sup>1</sup> Standard inlet and outlet diameters are supplied unless otherwise specified.
- <sup>2</sup> Inlet and outlet sizes for 512-10FV are 8”.
- <sup>3</sup> Inlet and outlet sizes for 724-20FV are 8”.



**STERLING SYSTEMS**

A Division of The Sterling Blower Company