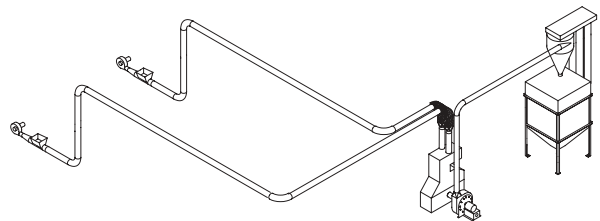


RECOVER YOUR SCRAP PNEUMATICALLY

- Save valuable floor space by eliminating mechanical conveyors
- Eliminate downtime associated with parts jamming conveyor belts
- Reduce housekeeping and safety issues with automated scrap transfer
- Reduce maintenance costs as a result of fewer moving parts
- Lower operating costs

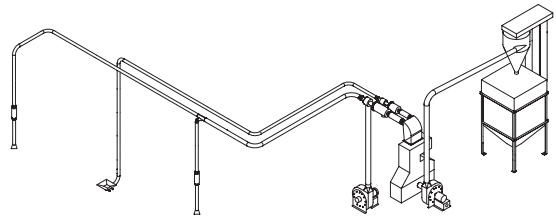
Venturi Systems

- Positive moil and tail transfer
- Positive bottle transfer



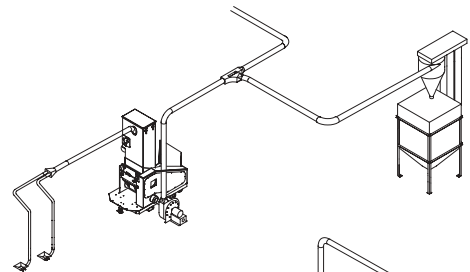
Eductor Systems

- Negative moil and tail transfer
- Negative bottle transfer



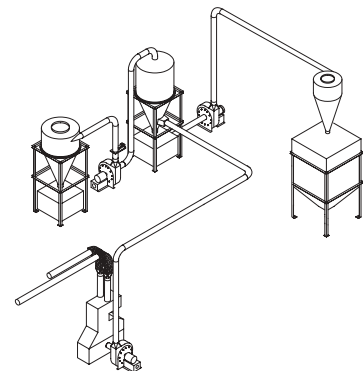
Veloci-Cutter

- Pneumatic self feeding size reduction unit
- Bottles, neck trimmings, tails, moils



Elutriation

- Dust and fines removal from granulate



Scrap Recovery Specialists to the
Plastics Industry since 1954

135 Vista Centre Dr. · Forest VA 24551 · 434-316-5310 · 434-316-5910 Fax

www.sterlingblower.com · sterling@sterlingblower.com