

Sterling Cyclones

Efficient...Reliable...Versatile

STERLING'S cyclones are designed for efficiency and performance. Featuring 14 gauge steel and angle iron ring construction, we manufacture our cyclones to fit the customer's needs. The proper cyclone size is essential in your material handling system. Sterling's cyclones are available in capacities ranging from 300 to over 15,000 CFM.

Our innovative spiralcone design helps prevent bridging at the cone collar associated with troublesome low-density materials.

We offer a complete list of options in order to provide precisely the type of cyclone required in your operation.

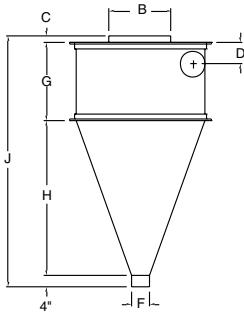
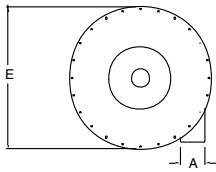
Available Options:

- Stainless Steel construction
- Support stand
- Side Mounted Filter Head
- Top Mounted Filter Head
- Spiral Breaker Strip - eliminates bridging at the cone collar
- Rectangular inlet (round is standard)
- Multi-inlets
- Dampened inlets
- Clean-out door in cone or body
- Flanged inlet and/or cone collar
- Storm Damper
- Take-off Cap

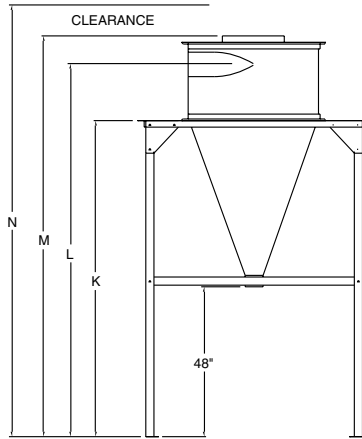
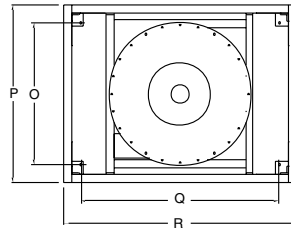


A Division of Sterling Blower Company
135 Vista Centre Drive, Forest, VA 24551
(434) 316-5310 • (434) 316-5910 (Fax)
sterling@sterlingblower.com
www.sterlingblower.com

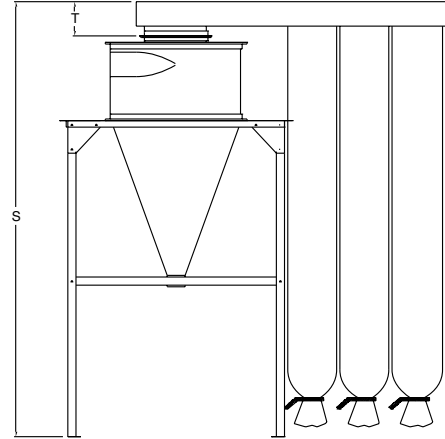
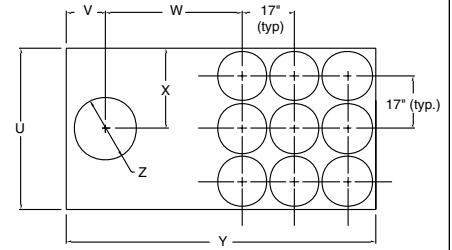
CYCLONE



CYCLONE WITH STAND



CYCLONE WITH SIDE MOUNTED FILTER HEAD



Cyclone Size →	4	5	6	7	8	9	10	11	13	15	17	19
A	3	4	4	5	6	7	8	10	12	14	16	16
B	8	10	12	14	16	18	20	22	26	30	34	38
C	2	2	2	2	2	2	2	2	4	6	6 1/2	9
D	4 5/8	4 5/8	4 5/8	5 5/8	6 1/8	6 5/8	7 1/8	8	15	18	19 1/2	20
E	20 1/8	24 1/8	28 1/8	33 1/8	38 1/8	42 1/8	46 1/8	50 1/8	59 1/8	67 1/8	75 1/8	84 1/8
F	5	6	6	6	6	6	6	10	10	10	10	10
G	10 3/8	12 5/8	15 1/8	17 5/8	20 1/8	22 5/8	25 1/8	27 5/8	34 1/2	39 1/2	44 1/2	47 1/2
H	29 3/8	32 1/2	36	39 1/2	43	46 1/2	50	53 1/2	60 1/2	67 1/2	74 1/2	81 1/2
J	45 3/8	51 1/8	57 1/8	63 1/8	69 1/8	75 1/8	81 1/8	87	103	117	129 1/2	140
K		85 1/4	88 1/4	92 1/4	95 1/4	98 1/4	102 1/4	106 1/4	112 1/4	119 1/4	126 1/4	133 1/4
L		93 1/4	98 3/4	104 1/4	109 1/4	114 1/4	120 1/4	125 3/4	135 3/4	146 3/4	157 3/4	167 3/4
M		99 3/4	105 1/4	111 3/4	117 1/4	122 3/4	129 1/4	135 3/4	150 3/4	164 3/4	177 1/4	187 3/4
N		108	114	120	126	132	144	150	168	180	198	212
O		29 3/4	29 3/4	29 3/4	45 3/4	45 3/4	45 3/4	45 3/4	81 3/4	81 3/4	81 3/4	81 3/4
P		41	41	41	57	57	57	57	93	93	93	93
Q		64	64	64	64	64	64	67 1/2	76 1/2	84 1/2	92 1/2	101 1/2
R		75 1/4	75 1/4	75 1/4	75 1/4	75 1/4	75 1/4	78 3/4	87 3/4	95 3/4	103 3/4	112 3/4
S	102	109	114 1/2	123	128 1/2	134	140 1/2	151	166	182 1/4	197 1/2	208
T	9 1/4	9 1/4	9 1/4	11 1/4	11 1/4	11 1/4	11 1/4	15 1/4	15 1/4	17 1/2	20 1/4	20 1/4
U	18	18	18	35	35	35	35	35	52	52	69	69
V	7	8	9	10	11	12	13	14	16	18	20	22
W	46	48	46	46	46	45	44	46	57	57	60	65
X	9	9	9	17 1/2	17 1/2	17 1/2	17 1/2	17 1/2	26	26	34 1/2	34 1/2
Y	79	99	98	82	83	100	100	120	116	135	140	147
Z	8	10	12	14	16	18	20	22	26	30	34	38
# of bags (row x column)	2 (1X2)	3 (1x3)	3 (1x3)	4 (2x2)	4 (2x2)	6 (2x3)	6 (2x3)	8 (2x4)	9 (3x3)	12 (3x4)	16 (4x4)	16 (4x4)
Bag Length	120	120	120	120	120	120	144	144	144	144	180	180
CFM	349	545	785	1069	1396	1767	2181	2640	3687	4908	6304	7876